

STD. SUCTION
(12) HOLES
(10) Ø25.4 [1.0"]
(2) 7/8" UNC TOP HOLES
362 [14.25"] PCD

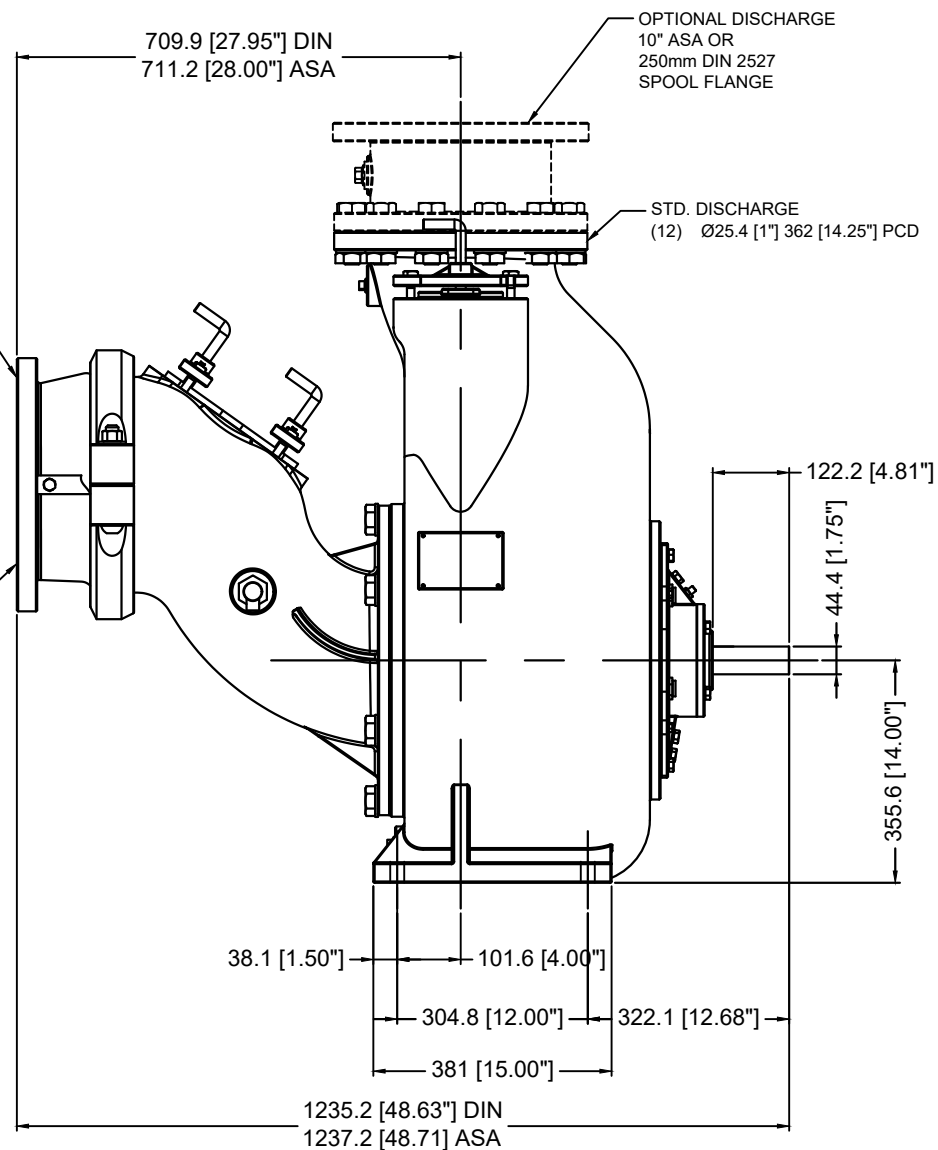
OPTIONAL SUCTION
250mm DIN 2527

94.7 [3.73"]

9.6 [0.38"]

39.17 [1.54"]

SHAFT DETAIL



GENERAL ARRANGEMENT, WEIGHTS

KST 10
10" SUCTION / 10" DISCHARGE
SELF PRIMING TRASH PUMP

DRAWING NBR.: A6316

REV.: 0

EFFECTIVE DATE : 22 JAN 2018



WEIGHT (lbs.)	WEIGHT (kg)
1440	653

NOTES:

1. APPROXIMATE DIMENSIONS AND WEIGHTS
2. MM [INCHES]