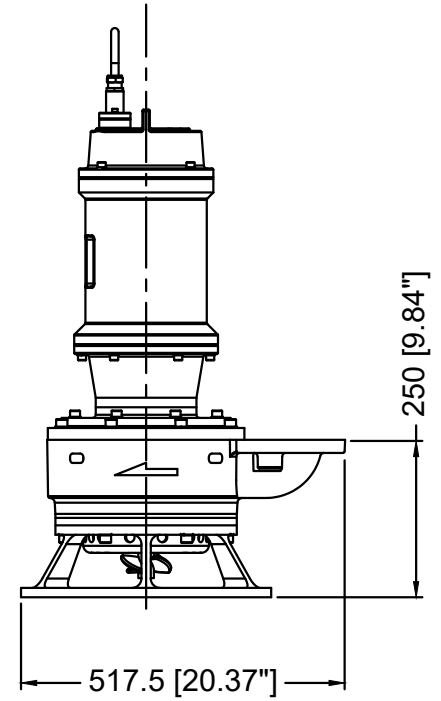


USE (4) M16x45mm BOLTS



GENERAL ARRANGEMENT, WEIGHTS HDS 50L-A (AGITATOR)	
ELECTRIC SUBMERSIBLE MOTOR - FRAME 3	
DRAWING NBR.: A4-300	REV.: 0
EFFECTIVE DATE : 2 JAN 2018	



MOTOR SIZE	RPM	WEIGHT (lbs.)	WEIGHT (kg)
5.3HP (F3)	1800	308	140

NOTES:  
1. MOTOR LIFTING LUG ORIENTATION MAY NOT BE EXACTLY AS SHOWN